


Cable Pullers

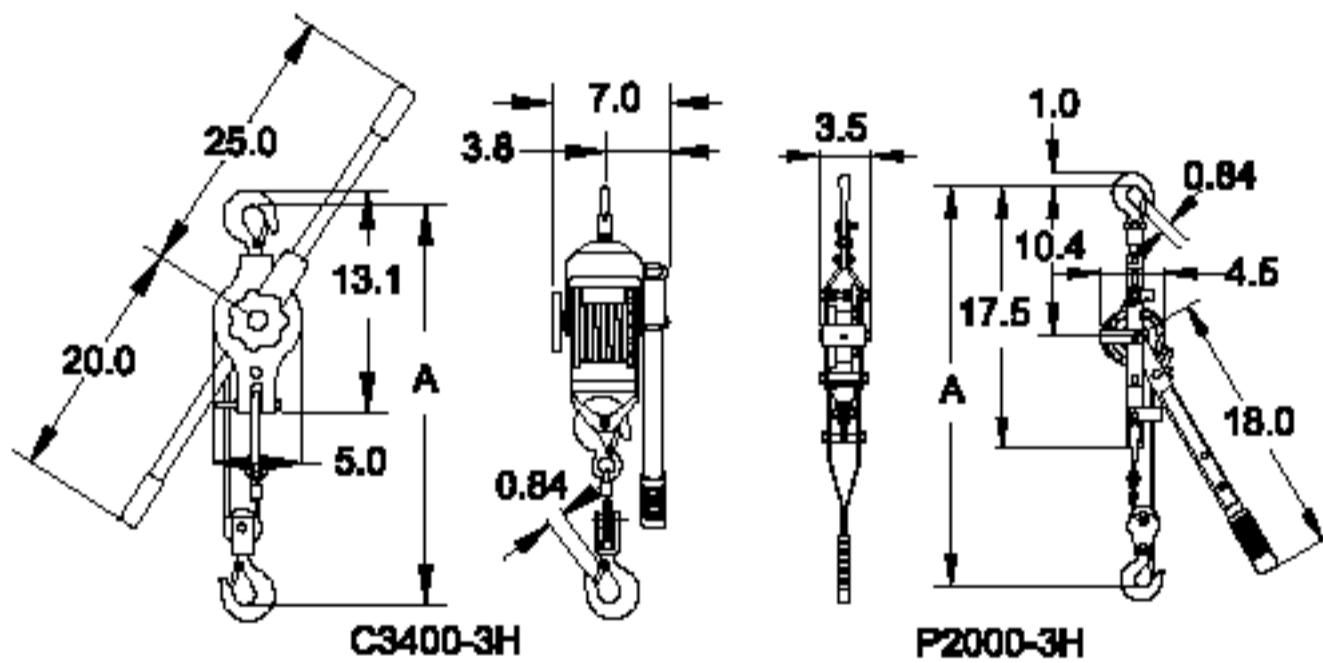
1000 LBS - 3400 LBS Capacity

FEATURES

- 3 Hook design allows 1 or 2 part rigging for a choice of capacity and lift
- Galvanized aircraft quality wire rope, stainless springs and plated external parts for corrosion resistance
- C3400 has a lightweight aluminum frame. P2000 has a formed steel frame. Both have a one piece cast aluminum drum
- C3400 has an overload indicating reversible handle that changes position easily, so pull is always possible in the right direction against the load. The handle on the C3400 bends noticeably when overloaded
- Safety Latches on alloy steel load hooks
- "One notch at a time" ratchet and pawl lowering for precise load control
- Buttress tooth with solid steel drive and holding dog, not laminated plates
- Spring steel drum shield helps protect and spool cable evenly on drum
- Meets: ASME/ANSI B30.21, OSHA and NASA-STD-8719.9
- ATEX rated  II 3 GD c IIB 50° C X for limited use in Hazardous Environments

OPTIONS

- Models with single line or double line only can be quoted



SPECIFICATIONS and DIMENSIONS							
(Inches and pounds)							
Model	ASME B30.21 (4:1 Design Factor) Working Load Limit @ Falls & Lift	"A" Min. Between Hooks	Av.Pull @Max. Load	Cable Size (in)	Hook Opening with Latch	Lever Length	Weight
P2000-3H	WLL 1000 lbs @ 1 falls & 15 ft lift	21.0"	60 lbs	3/16"	0.84"	18"	10 lbs
	WLL 2000 lbs @ 2 falls & 7.5 ft lift	27.5"					
C3400-3H	WLL 1700 lbs @ 1 falls & 20 ft lift	17.0"	80 lbs	1/4"	0.84"	25"	16 lbs
	WLL 3400 lbs @ 2 falls & 10 ft lift	22.0"					