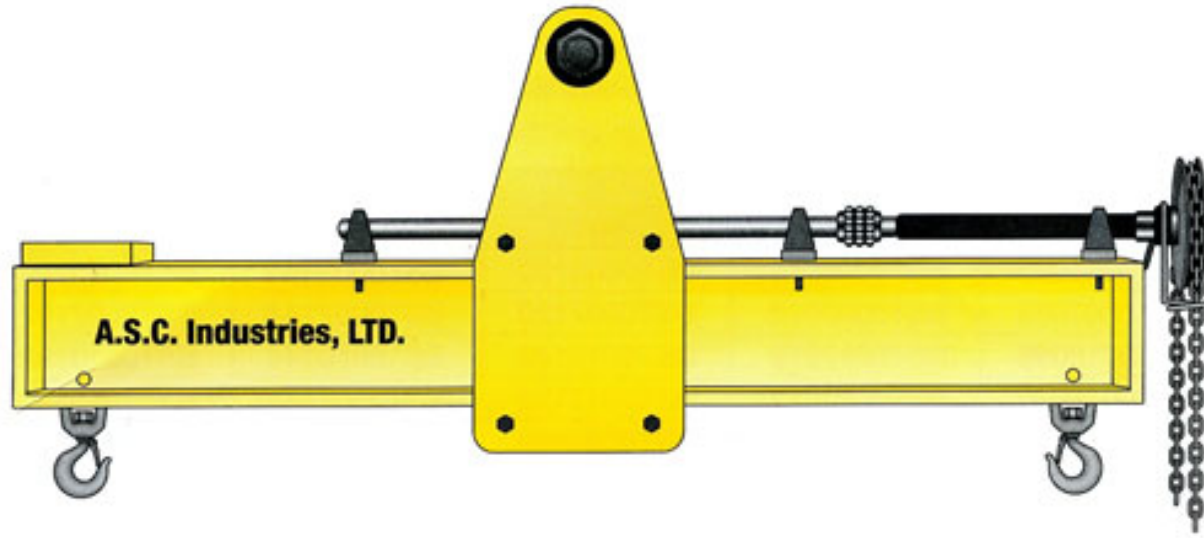


Adjustable Lifting Beam (Screw Type)



Product Features:

- Adjustable bail (adjust before lifting)
- Extra holes available
- Swivel hooks supplied
- Other capacities and spans available on request

Adjustable Lifting Beam Screw			
ASC Part Number	Capacity (Tons)	A	Travel
BSB0010048	1	4'0"	1'0"
BSB0020072	2	6'0"	1'0"
BSB0030072	3	6'0"	1'0"
BSB0050096	5	8'0"	1'0"
BSB0075096	7 - 1/2	8'0"	1'0"
BSB0100096	10	8'0"	1'0"

