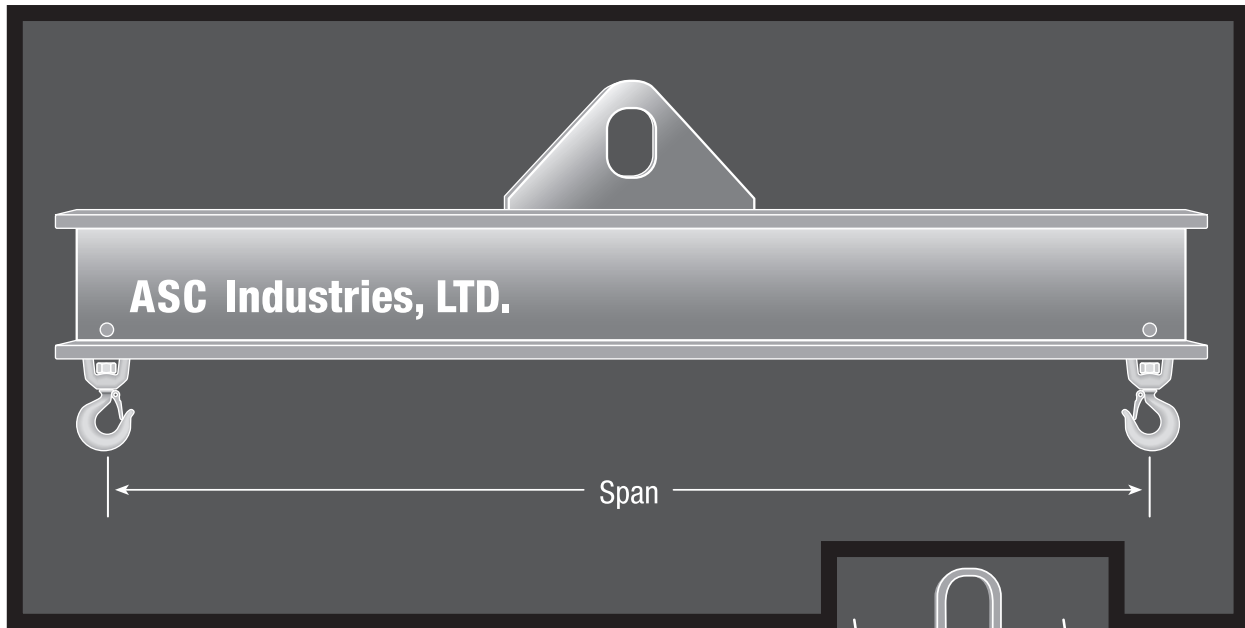




Lifting Beam

LOW HEADROOM LIFTING BEAM



Product features:

- Designed for low headroom applications
- Swivel hooks supplied with safety latches
- Additional holes available for various spans
- Many optional attachments available
- Other capacities and spans available on request
- Private labeling available upon request



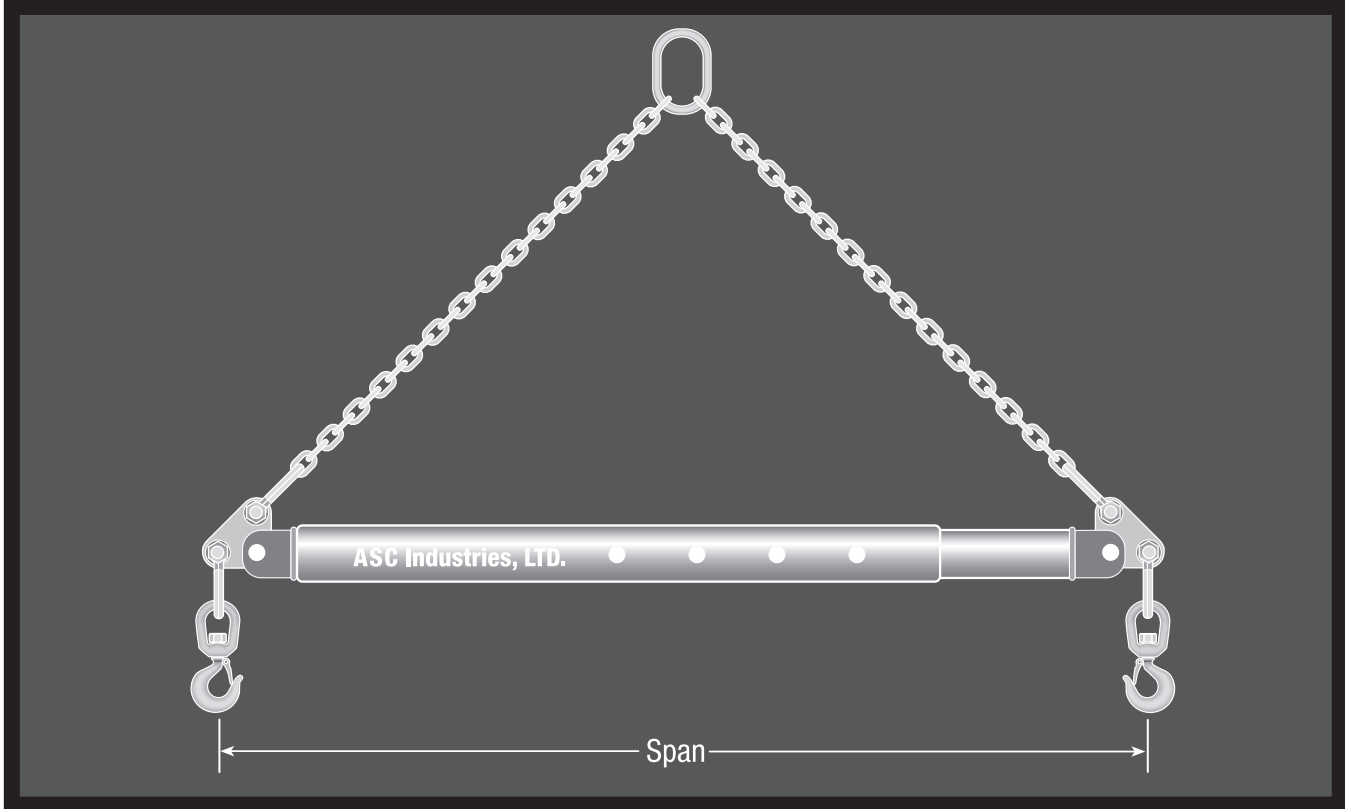
Optional Bent Bar Bail

- Available on capacities up to 5 ton

LOW HEADROOM LIFTING BEAM						
CAPACITY (TONS)	SPAN					
	3	6	10	12	16	20
1/2	BLH0005036	BLH0005072	BLH0005120	BLH0005144	BLH0005192	BLH0005240
3/4	BLH0007036	BLH0007072	BLH0007120	BLH0007144	BLH0007192	BLH0007240
1	BLH0010036	BLH0010072	BLH0010120	BLH0010144	BLH0010192	BLH0010240
1-1/2	BLH0015036	BLH0015072	BLH0015120	BLH0015144	BLH0015192	BLH0015240
2	BLH0020036	BLH0020072	BLH0020120	BLH0020144	BLH0020192	BLH0020240
3	BLH0030036	BLH0030072	BLH0030120	BLH0030144	BLH0030192	BLH0030240
5	BLH0050036	BLH0050072	BLH0050120	BLH0050144	BLH0050192	BLH0050240
7-1/2	BLH0075036	BLH0075072	BLH0075120	BLH0075144	BLH0075192	BLH0075240
10	BLH0100036	BLH0100072	BLH0100120	BLH0100144	BLH0100192	BLH0100240
12-1/2	BLH0125036	BLH0125072	BLH0125120	BLH0125144	BLH0125192	BLH0125240
15	BLH0150036	BLH0150072	BLH0150120	BLH0150144	BLH0150192	BLH0150240
20	BLH0200036	BLH0200072	BLH0200120	BLH0200144	BLH0200192	BLH0200240



ADJUSTABLE SPREADER BEAM

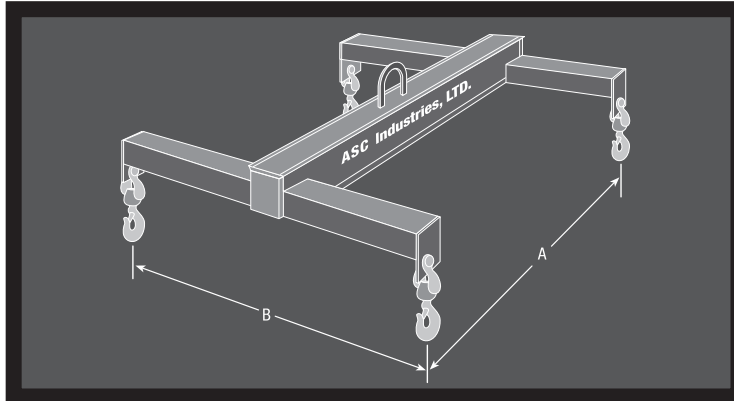


Product features:

- Much lighter and less expense
- Increased spread increases stability
- Can be made adjustable or fixed
- Rigging available
- Other capacities and spans available on request

SPREADER BEAM						
CAPACITY (TONS)	SPAN					
	3	6	10	12	16	20
1/2	BST0005036	BST0005072	BST0005120	BST0005144	BST0005192	BST0005240
3/4	BST0007036	BST0007072	BST0007120	BST0007144	BST0007192	BST0007240
1	BST0010036	BST0010072	BST0010120	BST0010144	BST0010192	BST0010240
1-1/2	BST0015036	BST0015072	BST0015120	BST0015144	BST0015192	BST0015240
2	BST0020036	BST0020072	BST0020120	BST0020144	BST0020192	BST0020240
3	BST0030036	BST0030072	BST0030120	BST0030144	BST0030192	BST0030240
5	BST0050036	BST0050072	BST0050120	BST0050144	BST0050192	BST0050240
7-1/2	BST0075036	BST0075072	BST0075120	BST0075144	BST0075192	BST0075240
10	BST0100036	BST0100072	BST0100120	BST0100144	BST0100192	BST0100240
12-1/2	BST0125036	BST0125072	BST0125120	BST0125144	BST0125192	BST0125240
15	BST0150036	BST0150072	BST0150120	BST0150144	BST0150192	BST0150240
20	BST0200036	BST0200072	BST0200120	BST0200144	BST0200192	BST0200240

FOUR-POINT LIFTING BEAM



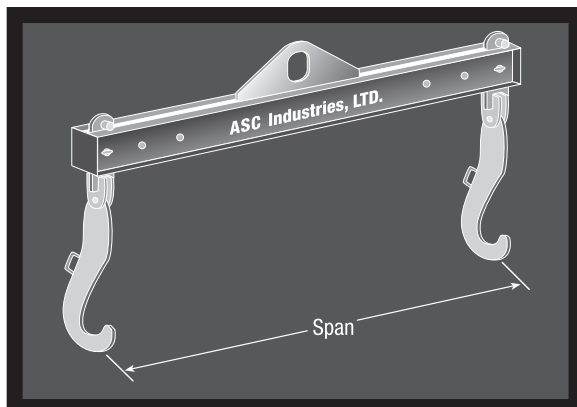
Product Features:

- Designed to be used with slings in a basket hitch
- Hooks supplied with latches
- Extra hooks available upon request
- Other capacities and spans available on request

FOUR-POINT LIFTING BEAM

CAPACITY (TONS)	CAT NUMBER SPAN A x B	CAT NUMBER SPAN A x B	CAT NUMBER SPAN A x B	CAT NUMBER SPAN A x B	CAT NUMBER SPAN A x B
1	BFP010048024 4 x 2	BFP010072036 6 x 3	BFP010096048 8 x 4	BFP010120060 10 x 5	BFP010180120 15 x 10
2	BFP020048024 4 x 2	BFP010072036 6 x 3	BFP010096048 8 x 4	BFP020120060 10 x 5	BFP020180120 15 x 10
3	BFP030048024 4 x 2	BFP030072036 6 x 3	BFP030096048 8 x 4	BFP030120060 10 x 5	BFP030180120 15 x 10
5	BFP050048024 4 x 2	BFP050072036 6 x 3	BFP050096048 8 x 4	BFP050120060 10 x 5	BFP050180120 15 x 10
7-1/2	BFP075096048 8 x 4	BFP075120060 10 x 5	BFP075144072 12 x 6	BFP075168084 14 x 7	BFP075192096 16 x 8
10	BFP100096048 8 x 4	BFP100120060 10 x 5	BFP100114472 12 x 6	BFP100168084 14 x 7	BFP100192096 16 x 8
15	BFP150096048 8 x 4	BFP150120060 10 x 5	BFP150114472 12 x 6	BFP150168084 14 x 7	BFP150192096 16 x 8
20	BFP 200120060 10 x 5	BFP200192096 12 x 6	BFP2001680084 14 x 7	BFP200192096 16 x 8	BFP200216108 18 x 9

ROLL HANDLING BEAM



Product Features:

- Design for limited headroom
- Easy lifting and positioning of rolls
- Roll arms adjustable
- Capacities up to 20 ton
- Roll arms come with handles

Information Needed to Order:

- Capacity
- Span or spread
- Min/Max roll length
- Max roll diameter
- Shaft diameter