



Wire Rope Thimbles

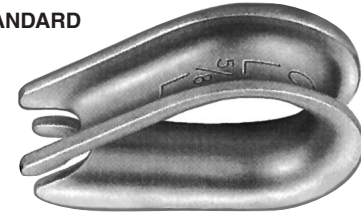
STANDARD WIRE ROPE THIMBLES

Galvanized Steel

*Sizes available in open pattern.

For Rope Diam. Inches	DIMENSION IN INCHES						Weight Pounds Per 100
	Overall Length	Overall Width	Length Inside	Width Inside	Inside Width of Score	Max. Pin Diam.	
1/8	1 15/16	1 1/16	1 5/16	1 1/16	5/32	5/8	3.3
3/16	1 15/16	1 1/16	1 5/16	1 1/16	7/32	5/8	3.3
1/4	1 15/16	1 1/16	1 5/16	1 1/16	9/32	5/8	3.3
5/16	2 1/8	1 1/4	1 1/2	1 3/16	3/8	3/4	4.
3/8	2 3/8	1 15/32	1 5/8	1 5/16	7/16	7/8	7.50
1/2	2 3/4	1 3/4	1 7/8	1 1/8	9/16	1 1/16	18.80
5/8	3 1/2	2 3/8	2 1/4	1 3/8	1 1/16	1 1/4	36.
3/4	3 3/4	2 11/16	2 1/2	1 5/8	1 3/16	1 1/2	60.
7/8	5	3 3/16	3 1/2	1 7/8	1 5/16	1 3/4	90.
1	5 11/16	3 3/4	4 1/4	2 1/2	1 1/16	2 3/8	105.
1 1/8-1 1/4	6 1/4	4 5/16	4 1/2	2 3/4	1 5/16	2 5/8	166.

**G-411
STANDARD**

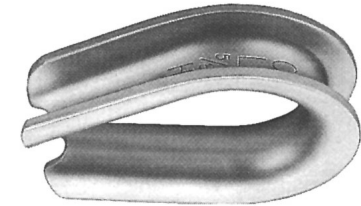


Recommended for light duty service. G-411 meets Federal Specification FF-T-276b Type II.

EXTRA HEAVY WIRE ROPE THIMBLES

Galvanized and Stainless Steel

For Rope Diam. Inches	DIMENSION IN INCHES						Weight Pounds Per 100
	Overall Length	Overall Width	Length Inside	Width Inside	Overall Thickness	Max. Pin Diam.	
* 1/4	2 3/16	1 1/2	1 5/8	7/8	13/32	13/16	7.5
* 5/16	2 1/2	1 13/16	1 7/8	1 1/16	1/2	1 5/16	14.
* 3/8	2 7/8	2 1/8	2 1/8	1 1/8	21/32	1 1/16	25.
7/16	3 1/4	2 3/8	2 3/8	1 1/4	3/4	1 3/16	36.
* 1/2	3 5/8	2 3/4	2 3/4	1 1/2	27/32	1 7/16	51.
9/16	3 5/8	2 11/16	2 3/4	1 1/2	29/32	1 7/16	51.
* 5/8	4 1/4	3 1/8	3 1/4	1 3/4	1	1 5/8	75.
* 3/4	5	3 3/16	3 3/4	2	1 1/4	1 7/8	147.
7/8	5 1/2	4 1/4	4 1/4	2 1/4	1 3/8	2 1/8	185.
1	6 1/8	4 15/16	4 1/2	2 1/2	1 9/16	2 3/8	291.66
1 1/8-1 1/4	7	5 7/8	5 1/8	2 7/8	1 7/8	2 3/4	383.33
1 1/4-1 3/8	9 1/16	6 13/16	6 1/2	3 1/2	2 1/4	3 1/4	816.66
1 3/8-1 1/2	9	7 1/8	6 1/4	3 1/2	2 5/8	3 3/8	1,166.66
1 5/8	11 1/4	8 1/8	8	4	2 3/4	3 7/8	1,625.
1 3/4	12 3/16	8 1/2	9	4 1/2	2 7/8	4 3/8	1,837.50
1 7/8-2	15 1/8	10 3/8	12	6	3 1/8	5 7/8	2,575.
2 1/4	17 1/8	11 7/8	14	7	3 5/8	6 7/8	3,850.



**G-414 and SS-414
STAINLESS STEEL**

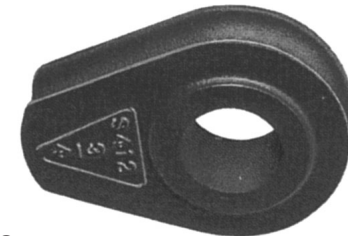
*Sizes available in Stainless (304) Steel.

EXTRA HEAVY

Rugged rope thimbles recommended for heavy duty service. Thimbles G-414 meet Federal Specification FF-T-276b Type III.

SOLID WIRE ROPE THIMBLES

For Rope Diam. Inches	DIMENSION IN INCHES				Weight Pounds Each
	Overall Length	Overall Width	Thickness	Maximum Pin Diam.	
1/2	2 13/16	2 1/8	7/8	1	1.0
5/8	4 11/16	3 3/8	1 1/8	1 3/16	2.5
3/4	4 11/16	3 3/8	1 3/8	1 3/8	3.3
7/8	6 1/16	4 1/2	1 5/8	1 5/8	5.0
1	6 1/16	4 1/2	1 13/16	2	6.5
1 1/8	7 1/4	5 3/8	2 1/16	2 1/4	8.5
1 1/4-1 3/8	7 1/4	5 3/8	2 5/16	2 1/2	10.0



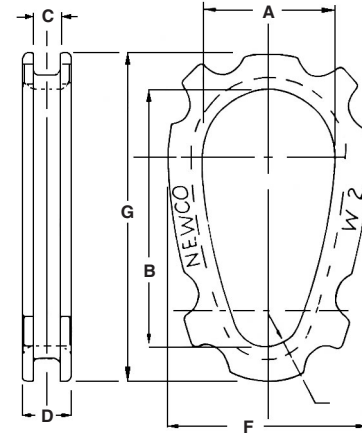
S-412

SOLID

Fits open wire rope socket, boom pendant clevis, as well as wedge socket.

SLIP-THRU THIMBLE

NEWCO SLIP-THRU THIMBLES are designed to allow passage of an identical thimble through its eye. This is a necessity when a regular sling is used as a choker sling. SLIP-THRU THIMBLES also prevent the eye of the sling from mashing together and the top of the eye wearing excessively. The generous inside dimensions allow the thimbles to fit large crane hooks.

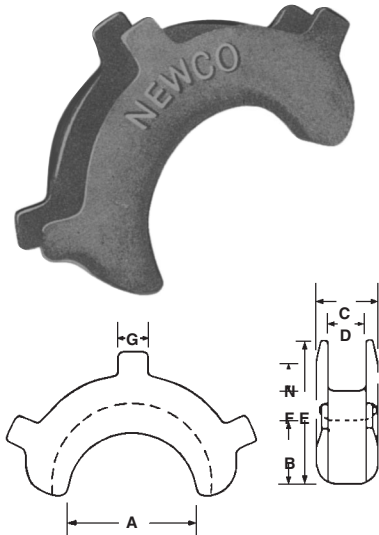


THIMBLE CODE	SLING SIZE			DIMENSIONS							WT. LBS.
	SINGLE	8 PTS.	6 PTS.	A	B	C	D	E ^R	F	G	
*W-2	5/16-3/8	3/32-1/8	3/32-1/8	2 1/8	4 1/8	7/16	13/16	9/16	3 1/4	5 1/4	1.3
W-3	1/2-9/16	3/16	3/16	2 3/8	4 3/8	5/8	1	5/8	4	6	1.15
W-4	5/8-3/4	1/4	1/4-5/16	3 3/8	6 5/8	13/16	15/16	5/8	5 3/8	8 1/2	3.11
W-5	7/8-1	5/16	3/8	3 3/4	7 1/8	1 1/8	15/8	7/8	6 1/4	9 3/8	5.6
W-6	1 1/8-1 1/4	3/8	7/16	4 3/8	8 3/8	1 3/8	17/8	1	7 1/8	11	8.6
W-7	1 3/8-1 1/2	7/16-1/2	1/2	5	9 1/2	1 5/8	2 1/8	1 1/4	8 1/8	12 1/2	11.1
W-8	1 5/8-1 3/4	9/16	5/8	6 3/4	11 3/4	1 13/16	2 9/16	17/16	9 3/8	14 3/4	17.6
W-9	1 7/8-2	5/8	3/4	8	14 1/2	2 1/8	3 1/4	17/8	13	19 1/4	53.
W-10	2 1/8-2 1/4	3/4	7/8-1	8 1/2	15 1/2	2 1/2	3 3/4	2	13	20 3/8	66.
W-11	2 1/2-3	7/8-1	1 1/8	9	18 1/2	3 3/16	4 11/16	2 1/2	15 3/4	24 3/4	126.

*Made from High Tensile Malleable

Designed to protect the bearing surface of a loop where a large dimension loop is necessary. The ears are tapered so that they can be bent over. Standard-Laid Rope Size 3/8" to 3".

CRESCENT THIMBLE



NEWCO NUMBER	ROPE SIZE SINGLE	8PTS. BRAID ROPE DIA.	6PTS. BRAID ROPE DIA.	DIMENSIONS AND DATA								APPROX. WT. LBS.
				A	B	C	D	E	F	G	H	
6C	3/8-7/16	3/32-1/8	1/8	2	1	27/32	15/32	2 1/16	3/8	1/2	3/8	.75
8C	1/2-9/16	3/16	3/16	2 1/4	1 1/8	1	5/8	2 1/2	1/2	1/2	1/2	1.0
9C	5/8	—	1/4	2 3/4	1 3/8	1 5/32	23/32	3	19/32	9/16	19/32	1.2
10C	3/4	1/4	5/16	3 1/4	1 5/8	1 5/16	13/16	3 1/2	5/8	5/8	5/8	2.0
14C	7/8	—	—	4 1/2	2 1/4	1 7/16	15/16	4 5/16	3/4	1 1/16	3/4	3.3
16C	1	5/16	3/8	4 1/2	2 1/4	1 9/16	1 1/16	4 19/32	13/16	3/4	7/8	3.75
18C	1 1/8	3/8	7/16	4 7/8	2 7/16	1 13/16	1 1/4	5 1/32	7/8	7/8	1	5.0
20C	1 1/4	7/16	1/2	5 1/2	2 3/4	2 1/16	17/16	5 3/4	15/16	15/16	1 1/8	6.75
22C	1 3/8-1 1/2	1/2	9/16	6	3	2 1/4	1 5/8	6 1/4	1 1/16	1 1/8	1 3/16	9.0
24C	1 5/8	9/16	5/8	6 1/2	3 1/4	2 1/2	1 3/4	6 11/16	1 1/8	1 1/4	1 1/4	12.0
28C	1 3/4-1 7/8	—	—	7	3 1/2	2 15/16	1 15/16	7 3/8	1 1/4	1 3/8	1 1/2	16.6
32C	2	5/8	3/4	7	3 1/2	3 3/16	2 3/16	7 13/16	1 1/2	1 1/2	1 5/8	21.8
40C	2 1/4-2 1/2	3/4-7/8	1	8 1/2	4 1/4	4 1/8	2 7/8	9 5/8	1 5/8	1 7/8	2	39.0
48C	2 3/4-3	1	1 1/8	10	5	4 7/8	3 3/8	11 1/4	1 3/4	2 1/4	2 1/2	67.0

DIMENSIONS ARE IN INCHES AND APPROXIMATE