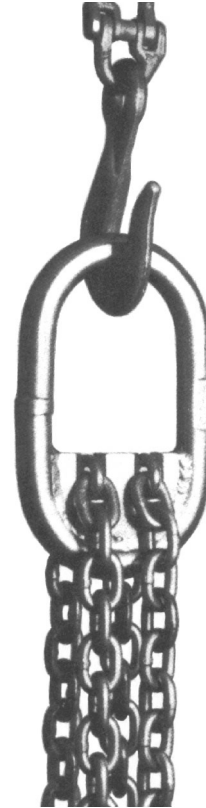
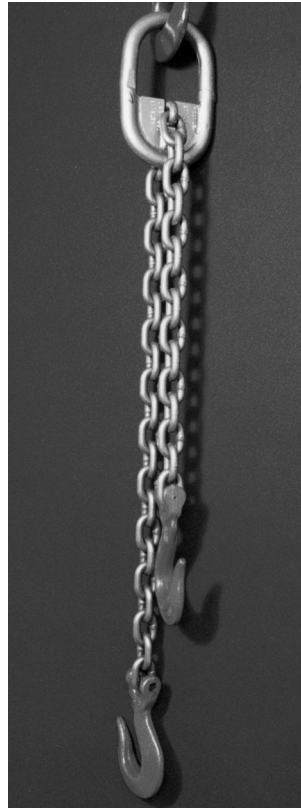
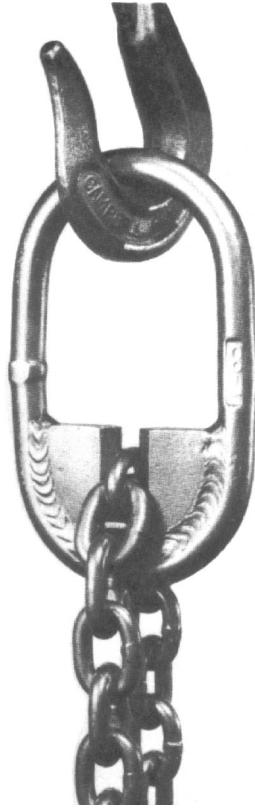




Chain Sling Saddle Rings

ALLOWS ADJUSTMENT OF CHAIN REACH



US Patent #4,241,575

Canadian Patent #1,086,510 British Patent #2,029,370

SAME STRENGTH AS STANDARD CHAIN SLINGS,
ONLY MORE ECONOMICAL

System	Chain Size Inches	Single Branch Sling 90 degree Loading	Double Sling			Triple and Quadruple Sling		
			60 degree	45 degree	30 degree	60 degree	45 degree	30 degree
10	9/32	4,300	7,500	6,100	4,300	11,200	9,100	6,450
10	3/8	8,800	15,200	12,400	8,800	22,800	18,600	13,200
10	1/2	15,000	26,000	21,200	15,000	39,000	31,800	22,500
10	5/8	22,600	39,000	32,000	22,000	58,700	47,900	33,900
10	3/4	35,300	61,100	49,900	35,300	91,700	74,900	53,000
10	7/8	42,700	74,000	60,400	42,700	110,900	90,600	64,000
8	1	47,700	82,600	67,400	47,700	123,900	101,200	71,500
8	1-1/4	72,300	125,200	102,200	72,300	187,800	153,400	108,400
8	1-1/2	80,000	138,600	113,100	80,000	_____	_____	_____

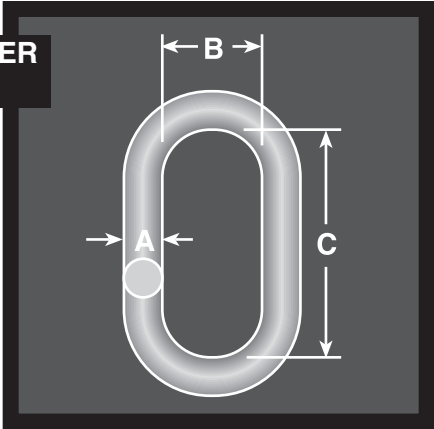


Pre-Engineered and Custom Fabrication

OBLONG MASTER			
A	B	C	WLL
1/2	2-1/2	5	6,100
3/4	3	6	12,300
1	4	8	20,800
1-1/4	4	8	31,300
1-1/2	5-1/4	10-1/2	49,000
1-3/4	6	12	73,500
2	7	14	88,900
2-1/4	8	16	125,200
2-3/4	9	18	187,800

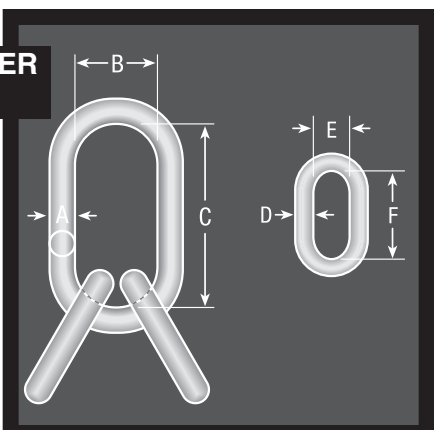
ANY DIAMETER
ANY SIZE

BENDING
CAPABILITIES
UP TO 6"
DIAMETER
BAR STOCK



SUB ASSEMBLIES				
A	D	E	F	WLL
1/2	13/32	1-1/2	3	5,500
3/4	1/2	1-1/2	2-5/8	9,100
1	25/32	1-9/16	2-7/8	18,400
1-1/4	1	3	5	31,200
1-1/2	1-1/4	4	5	47,000
1-3/4	1-1/2	4	6	73,500
2	1-3/4	4	6	88,900
2-1/4	1-7/8	5	7	123,900
2-3/4	2-1/8	6	9	187,800

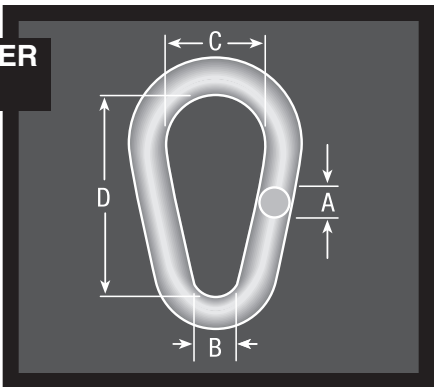
ANY DIAMETER
ANY SIZE



Note: B and C are from above chart standard oblong masters

PEAR MASTER				
A	B	C	D	WLL
1/2	1-1/4	2-1/5	5	6,100
3/4	1 1/2	3	6	12,300
1	2	4	8	20,800
1-1/4	2	4	8	31,300
1-1/2	3	5-1/4	10-1/2	49,000
1-3/4	3	6	12	59,200
2	3 1/2	7	14	82,600
2-1/4	4	8	16	125,200

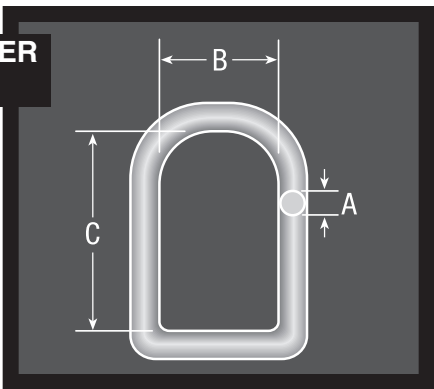
ANY DIAMETER
ANY SIZE



D-MASTER			
A	B	C	WLL
1-3/4	6	10	47,000
2	6	10	73,500
2-1/8	6	10	88,900
2-1/4	6-1/2	11	123,900
2-1/2	6-1/2	12	187,800

ANY DIAMETER
ANY SIZE

CALL US
FOR ALL
NON-STANDARD
SIZES
(800) 255-8973





Master Link

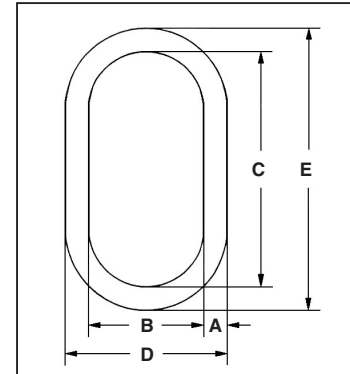
- Alloy Steel—Quenched and Tempered.
- Individually proof tested at 2 times Working Load Limit with certification.
- Proof test certification shipped with each link.
- Sizes from 1/2" to 2" are drop forged.

MASTER LINK



A-342

Size (in.)	A-342 Stock No. S.C.	Working Load Limit† (lbs.)	Weight Each (lbs.)	Dimensions (in.)					Deformation Indicator
				A	B	C	D	E	
1/2	1014262	7000	.82	.50	2.50	5.00	3.50	6.00	3.00
5/8	1014280	9000	1.52	.63	3.00	6.00	4.25	7.25	3.50
3/4	1014306	12300	2.07	.75	2.75	5.50	4.25	7.00	3.50
1	1014324	24360	4.85	1.00	3.50	7.00	5.50	9.00	4.50
1 1/4	1014342	36000	9.57	1.25	4.38	8.75	6.88	11.25	5.50
1 1/2	1014360	54300	16.22	1.50	5.25	10.50	8.25	13.50	6.50
1 3/4	1014388	84900	25.22	1.75	6.00	12.00	9.50	15.50	7.50
2	1014404	102600	37.04	2.00	7.00	14.00	11.00	18.00	9.00
†† 2 1/4	1014422	143100	54.10	2.25	8.00	16.00	12.50	20.50	—
†† 2 1/2	1014468	147300	67.75	2.50	8.00	16.00	13.00	21.00	—
†† 2 3/4	1014440	216900	87.70	2.75	9.50	16.00	15.00	21.50	—
†† 3	1014486	228000	115.00	3.00	9.00	18.00	15.00	24.00	—
†† 3 1/4	1014501	262200	145.00	3.25	10.00	20.00	16.50	26.50	—
†† 3 1/2	1014529	279000	200.00	3.50	12.00	24.00	19.00	31.00	—
†† 3 3/4	1015051	336000	198.00	3.75	10.00	20.00	17.50	27.50	—
†† 4	1015060	373000	228.00	4.00	10.00	20.00	18.00	28.00	—
†† 4 1/4	1015067	354000	302.00	4.25	12.00	24.00	20.50	32.50	—
†† 4 1/2	1015079	360000	345.00	4.50	14.00	28.00	23.00	37.00	—
†† 4 3/4	1015088	389000	436.00	4.75	14.00	28.00	23.50	37.50	—
†† 5	1015094	395000	516.00	5.00	15.00	30.00	25.00	40.00	—

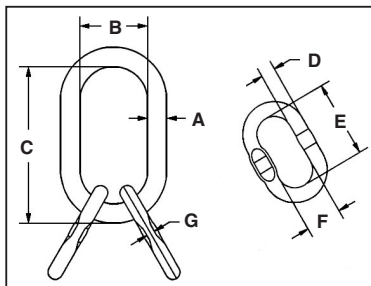


Minimum Ultimate Load is 5 times Working Load Limit.

† Based on single leg sling (in-line load), or resultant load on multiple legs with an included angle less than or equal to 120°. For use with chain slings.

†† Welded Master Link.

MASTER LINK ASSEMBLY



- Alloy Steel—Quenched and Tempered.
- Individually proof tested at 2 times Working Load Limit with certification.
- Proof test certification shipped with each link.



Size (in.)	A-345 Stock No. S.C.	Working Load Limit*† (lbs.)	Weight Each (lbs.)	Dimensions (in.)					Deformation Indicator	
				A	B	C	D	E		F
3/4	1014734	10500	2.60	.75	2.75	5.50	.56	3.55	1.57	3.50
1	1014752	24360	6.10	1.00	3.50	7.00	.69	3.94	2.36	4.50
1 1/4	1014770	36000	13.20	1.25	4.38	8.75	.88	3.94	2.36	5.50
1 1/2	1014798	54300	24.20	1.50	5.25	10.50	1.15	5.91	2.76	6.50
1 3/4	1014814	84900	35.60	1.75	6.00	12.00	1.25	6.30	3.54	7.50
2	1014832	102600	57.30	2.00	7.00	14.00	1.50	7.09	3.94	9.00



A-345

† Ultimate Load is 4 times the Working Load Limit.

* Working Load Limit with coupling links at 60° included angle.